



MODEL DR90 CATERING TRUCK

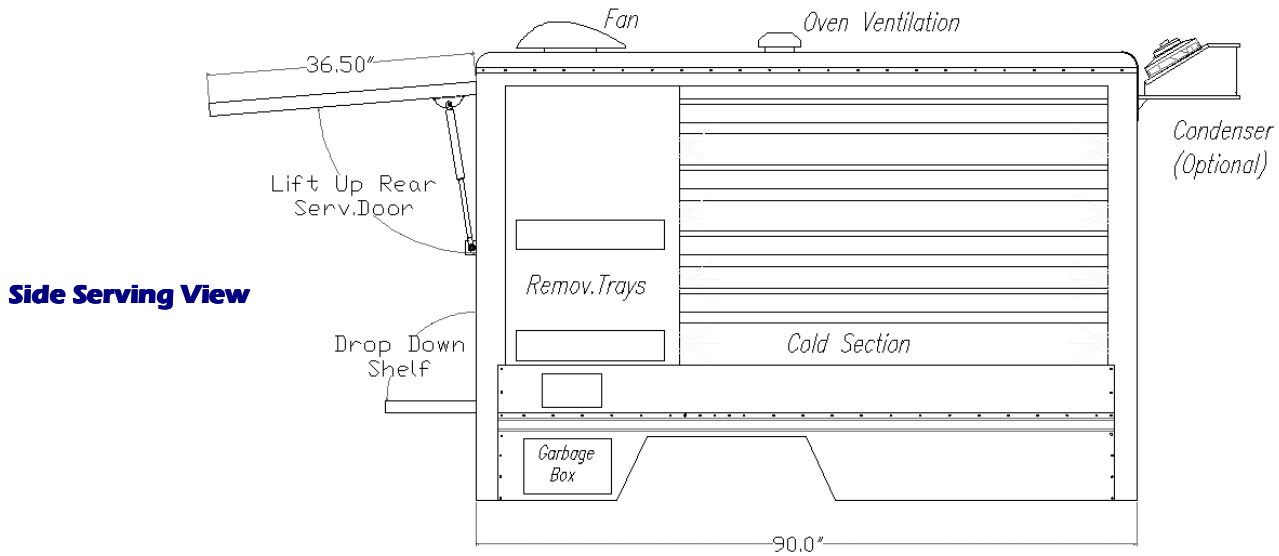


Silver Star Metal Fabricating Inc. has been manufacturing high quality stainless steel catering trucks for over 25 years. Our goal is to provide customers with the highest quality, outstanding service and on-time delivery.

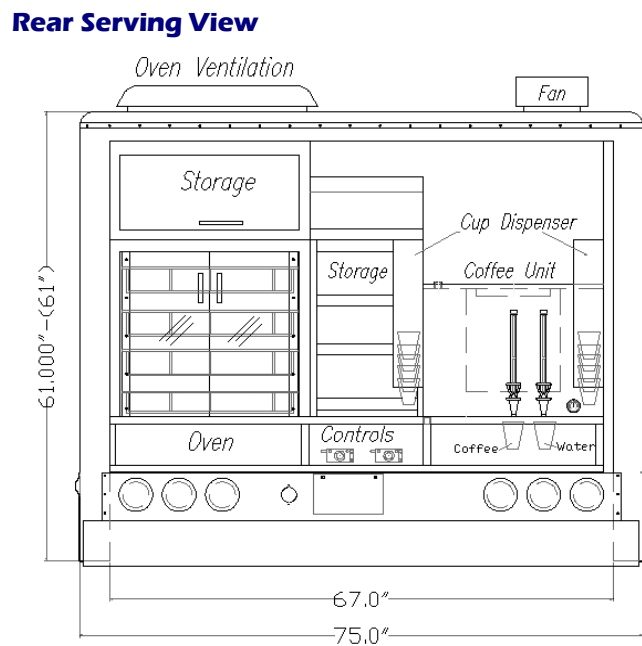
Our standard catering units are built with full tubular frames, insulated and are finished in a type 304 stainless steel exterior body. Each unit is carefully designed to be ergonomic and constructed to be durable. We use only the top quality raw materials and components to ensure the best possible final product.

SILVER STAR METAL FABRICATING INC.
1840 Gage Court, Mississauga, Ontario L5S 1S2, Canada
Phone: 905-671-1143 Fax: 905-671-1730
sales@silverstarmetal.com www.silverstarmetal.com

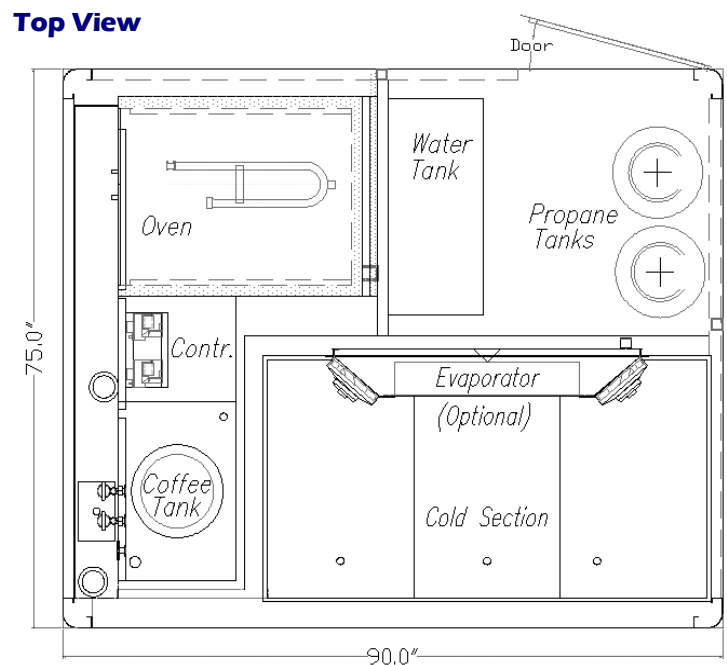
Model DR90



Side Serving View



Rear Serving View



Top View

Specifications:

Overall Size: 90" (L) x 61" (H) x 75" (W)
 Weight: 2300 lbs (1050 kg)

Standard Features:

- | | | |
|--------------------------------|---|---|
| One (1) Insulated Cold Section | One (1) Propane Heated Coffee Urn, 5 Gallon | One (1) Stainless Steel Rear Bumper |
| Four (4) Cold Section Shelves | Four (4) Serving Lights | One (1) Propane And Storage Compartment |
| Three (3) Cold Section Lights | One (1) Fold Down Serving Counter | Two (2) Cup Dispensers |
| One (1) Propane Heated Oven | One (1) Waste Box Inside Skirt | Installation On Customer Supplied Chassis |

Recommended Options:

- | | | |
|------------------------------|--------------------------------|--------------------------------------|
| Refrigerated Cold Section | Dual Horizontal Propane Tank | LED Lights |
| Stainless Steel Bottom Frame | Fresh Brew Coffee System | Stainless Steel Cold Section Baskets |
| Stainless Steel Floor | Oven Light | Storage Shelf |
| Two Speakers | Additional Cold Section Lights | Mud Flaps |